



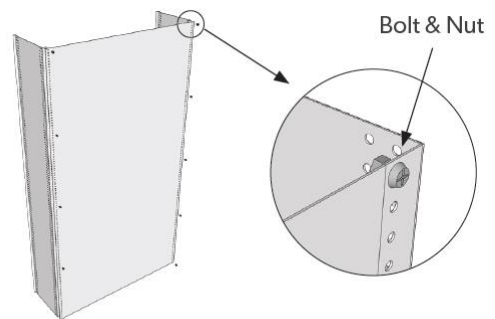
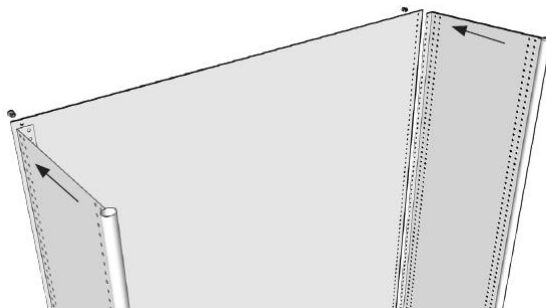
**SHELVING  
SHOP  
GROUP™**

## Panel End Shelving – Assembly Instructions



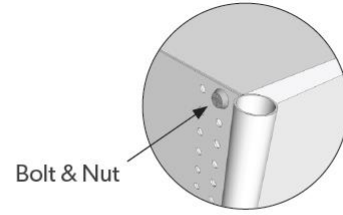
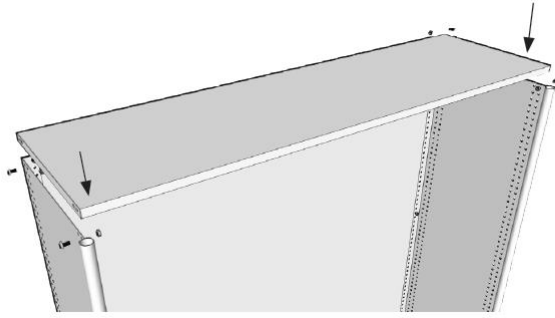
### Single / Starter Bay:

1



\* 10 Bolts and Nuts per back panel

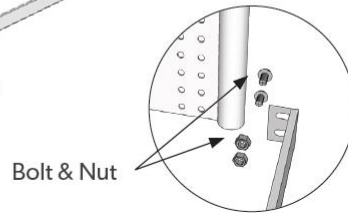
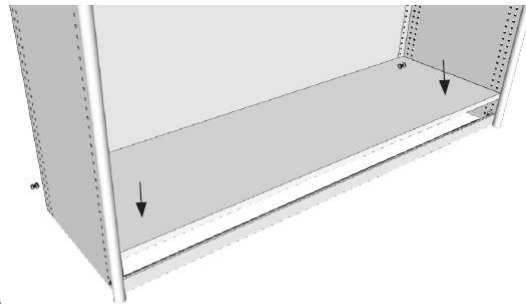
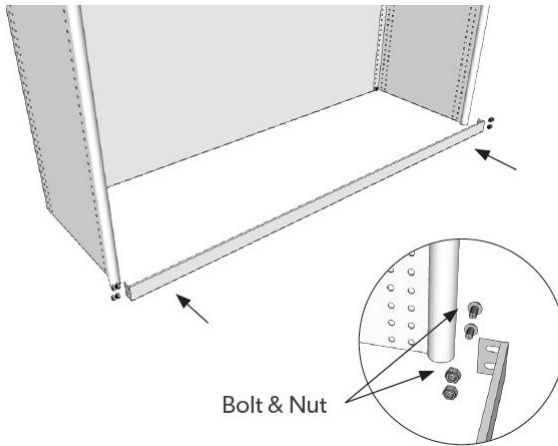
2



Bolt & Nut

\* 2 Bolts and Nuts per top shelf per upright

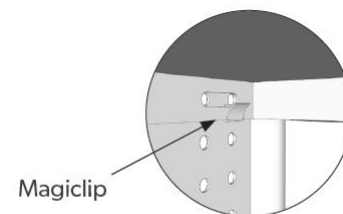
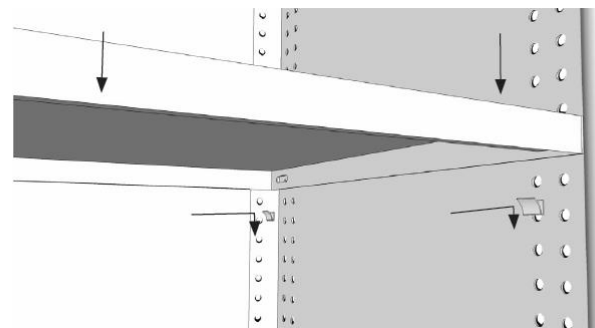
3



Bolt & Nut

\* 2 Bolts and Nuts per kickplate per upright  
\* 1 Bolt and Nut per bottom shelf per upright

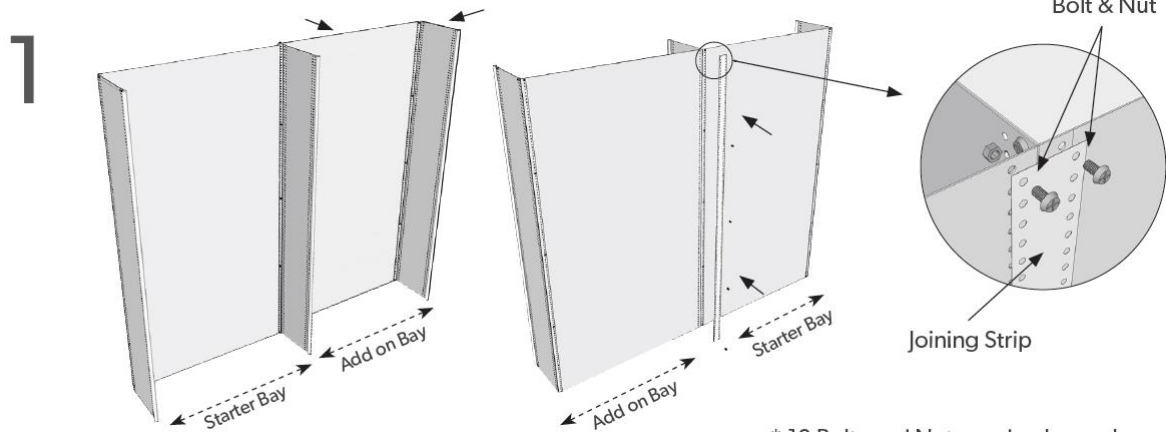
4



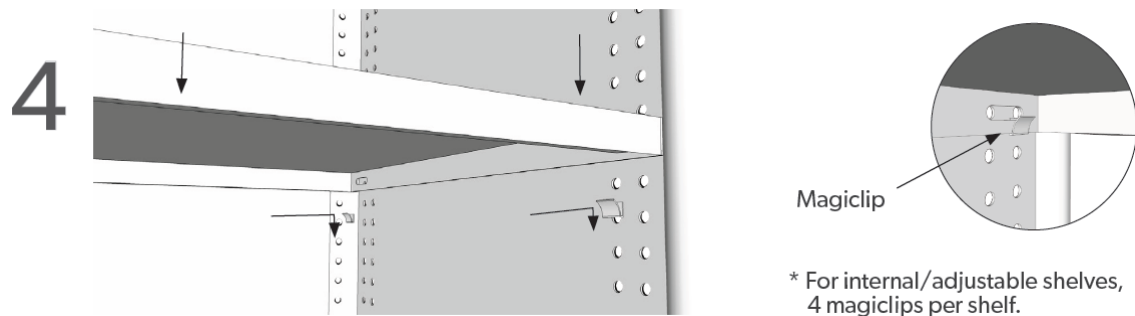
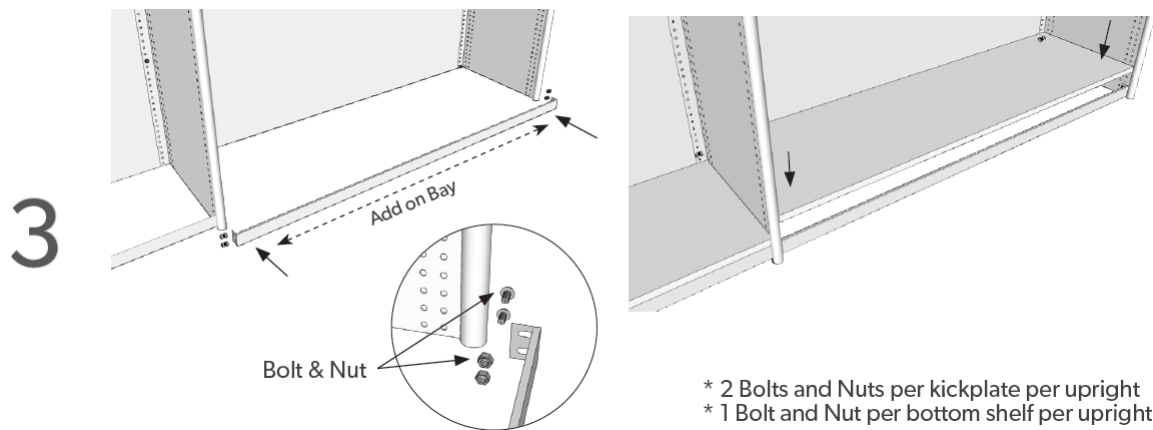
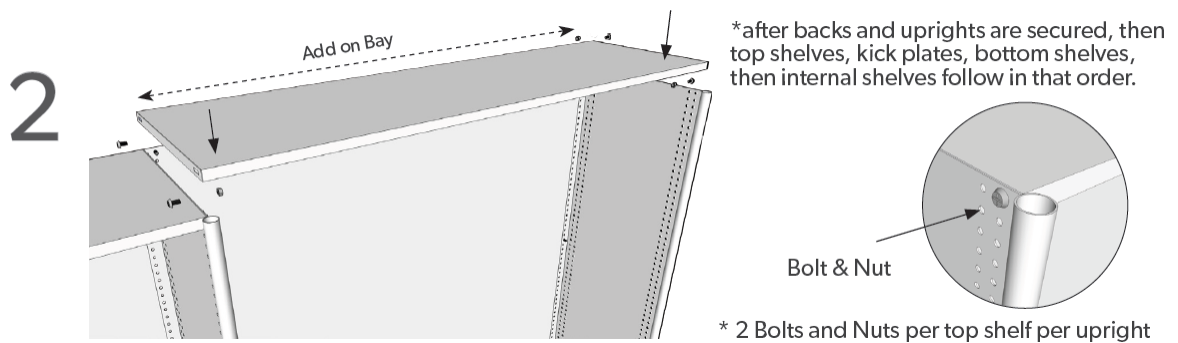
Magiclip

\* For internal/adjustable shelves,  
4 magicclips per shelf.

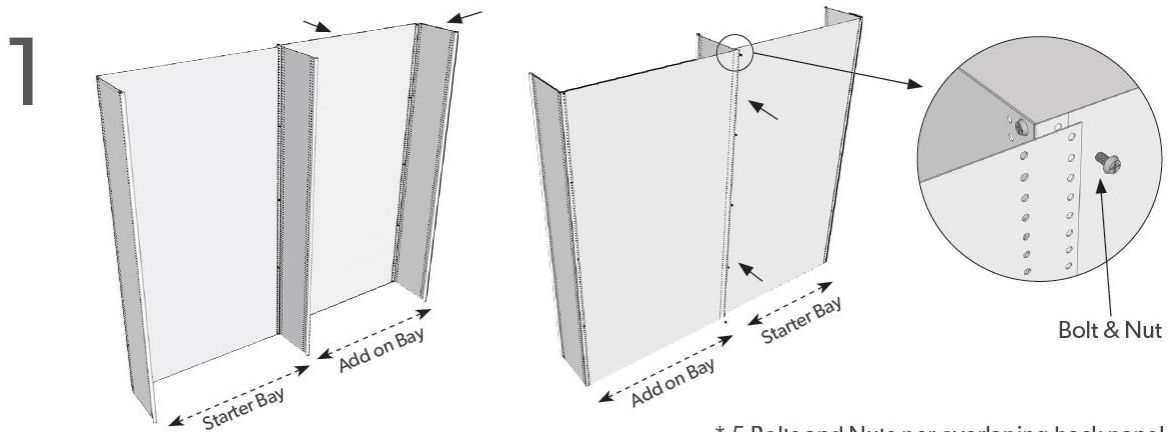
## Add On Bay With Joining Strip



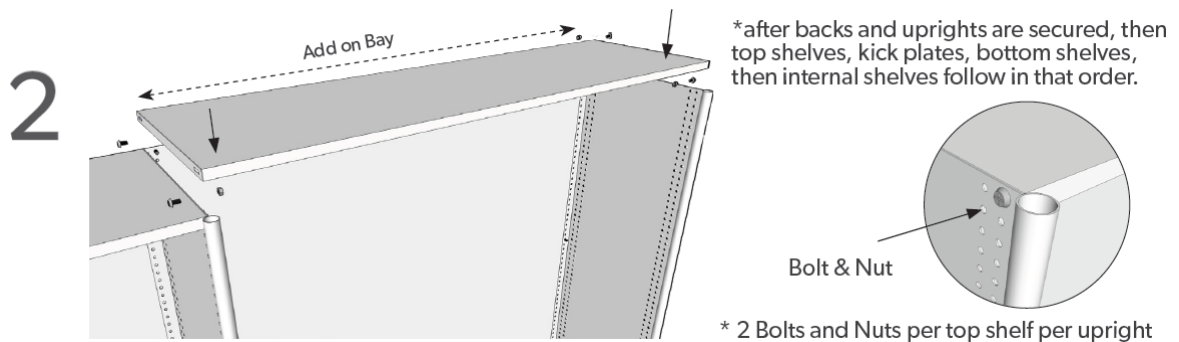
\* 10 Bolts and Nuts per back panel



## Add On Bay With Overlapping Back Panel



\* 5 Bolts and Nuts per overlapping back panel



\* 2 Bolts and Nuts per top shelf per upright

