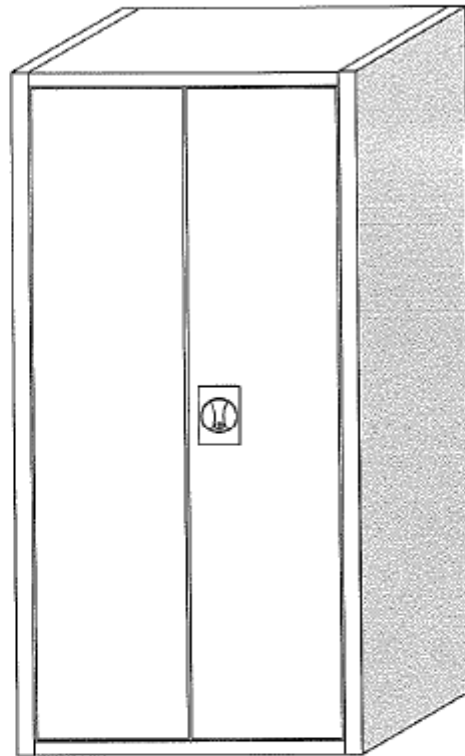


DIY Full Height Storage Cabinet

Assembly Instructions



Required Tools



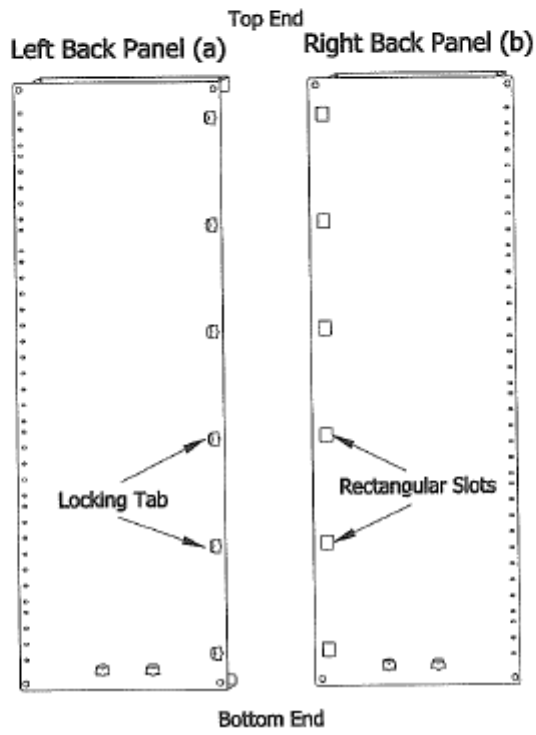
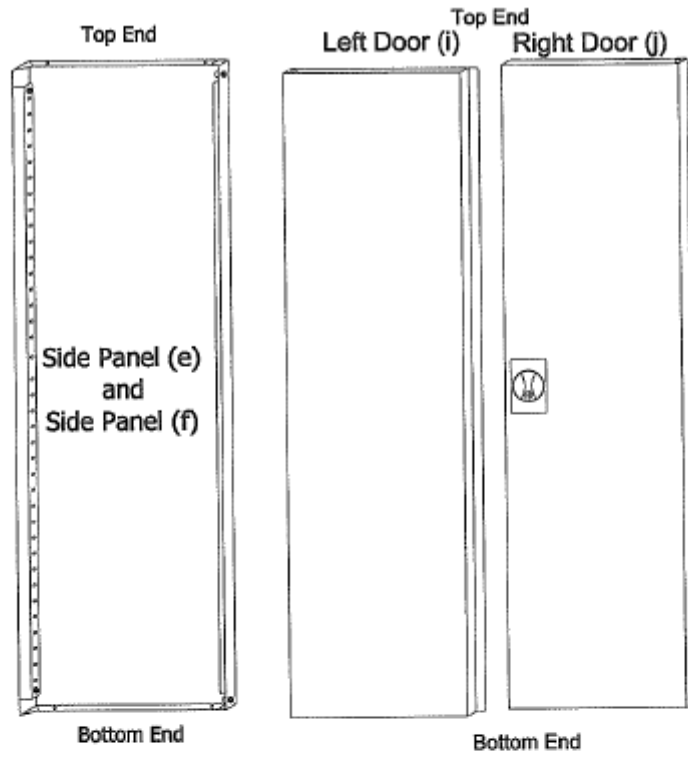
Phillips Head
Screwdriver

Safety Instructions

CAUTION: Show care and caution at all times while handling and assembling

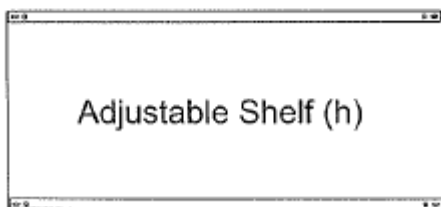
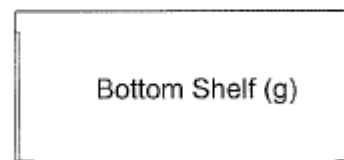
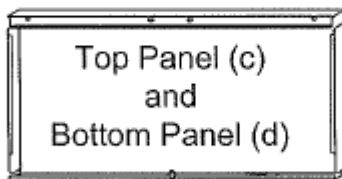
- ★ Use protective gloves, as metal may have sharp edges.
- ★ Carry out the assembly on level surface and thereafter install the cabinet on a level surface.
- ★ Avoid stepping on the cabinet.
- ★ Do not use the cabinet for any purpose other than for storage.
- ★ Do not exceed weight capacity of 66 lbs./30 kg on each shelf.
- ★ Always distribute weight evenly on shelf, starting with heavier items on bottom shelves.

All instructions must be followed correctly, otherwise the assembly will not be complete nor cabinet fit for purpose.



Please refer to the chart below to confirm that you have the correct number of parts for your DIY product.

DIY Full Height Doors Cabinet Component for 1600mm H / 1800mm H			
Component Name	Symbol	QTY in Nos 1600mm H	QTY in Nos 1800mm H
Left Back Panel	a	1	1
Right Back Panel	b	1	1
Top Panel	c	1	1
Bottom Panel	d	1	1
Side Panel	e	1	1
Side Panel	f	1	1
Bottom Shelf	g	1	1
Adjustable Shelf	h	3	4
Left Door	i	1	1
Right Door	j	1	1
M6x10 Philips Head Screw	k	10	10
Hinge Pin	l	4	4
Hinge Pin Bush	m	4	4
Bumper	n	4	4
Shelf Clip	o	12	16



M6 x10 Philips
Head Screw (k)



Hinge Pin (l)



Hinge Pin Bush (m)



Bumper (n)

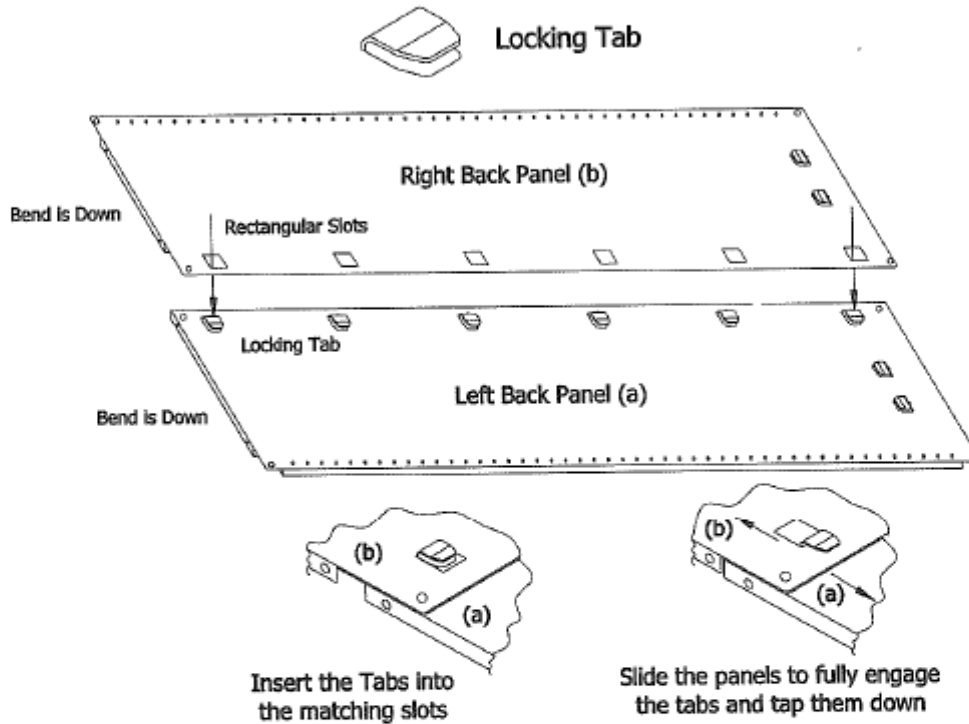


Shelf Clips (o)



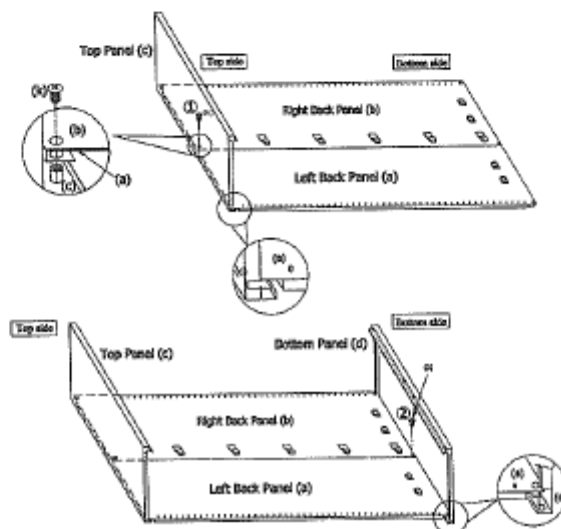
Step 1 - Back Panel Assembly

- 1.1 Lay the two back panels on a flat surface. Position as shown below. While Lifting the Back panels, DO NOT put your finger in the slots.
- 1.2 Place the Right Back panel over the Left Back panel so that the tabs on the Left Backpanel enter the matching slots in the Right Back panel.
- 1.3 Once all the tabs have entered the slots, slide the Back Panels in opposite directions to fully engage the tabs.
- 1.4 Press all the tabs down using a rubber mallet, so that the left and right back panels are held together tightly.
- 1.5 Do not shift the back panels from the assembled position



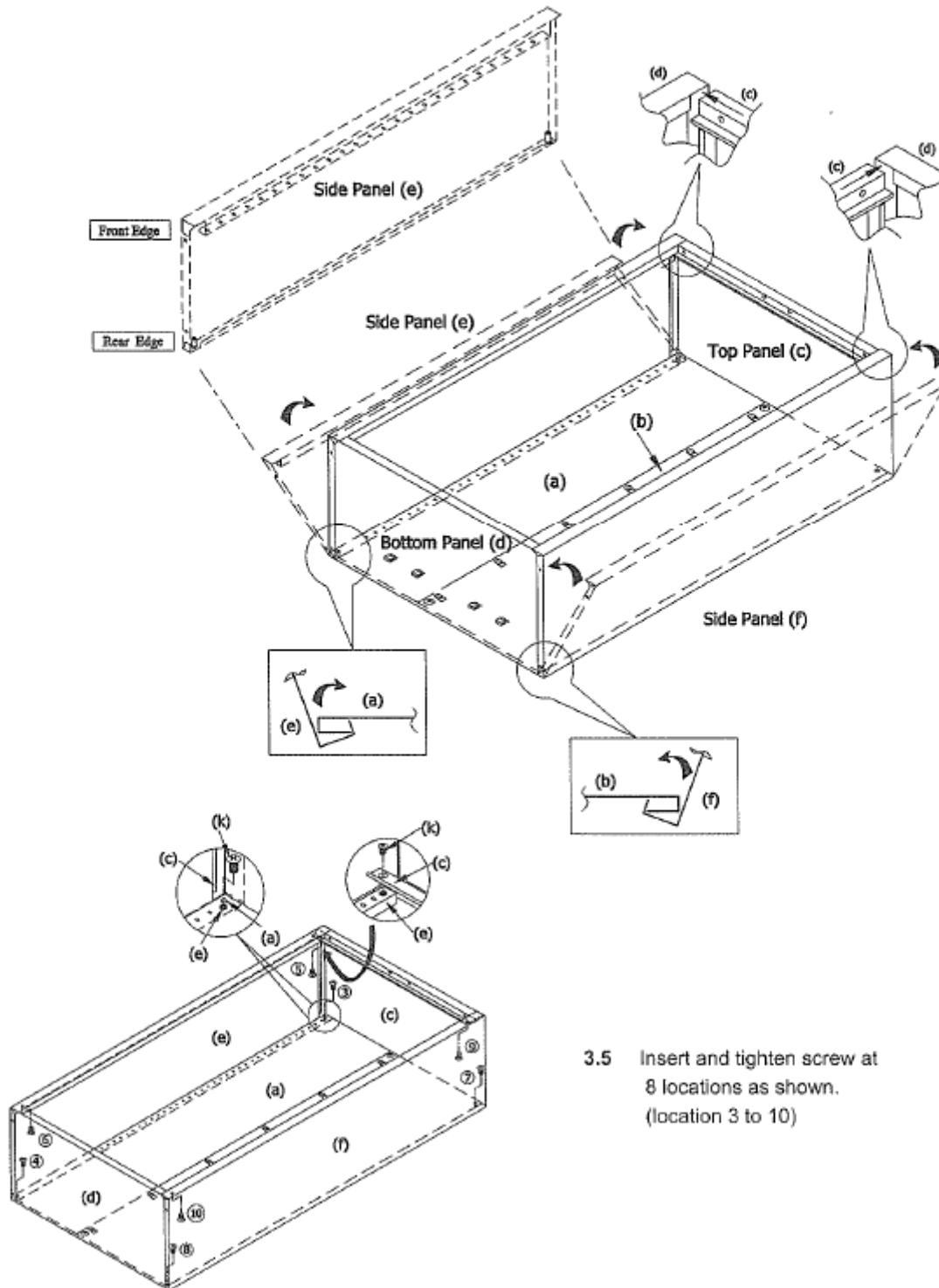
Step 2 - Top and Bottom Panel Assembly

- 2.1 Place the top panel below the back panels as shown. Hold it vertically to the back panels. You will find 3 locations for inserting screws. Screw only at location 1.
- 2.2 Assemble the bottom panel, at the opposite end of the back panels following the steps of the top panel assembly.



Step 3 - Side Panel Assembly

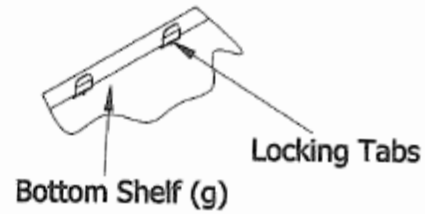
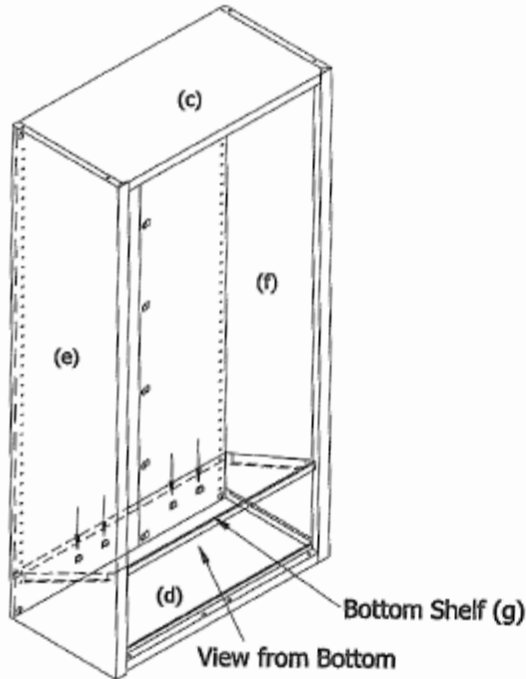
- 3.1 Identify correctly the front edge and rear edge of the side panel. The rear edge is provided with threaded nut at top and bottom.
- 3.2 Lift the outside edge of the Top panel and place the rear edge of the Side panel under it.
- 3.3 Rotate the front edge of the side panel towards the top and bottom panel so that they are fully engaged.
- 3.4 Repeat the steps to fit the other side panel to the opposite end of the top panel.



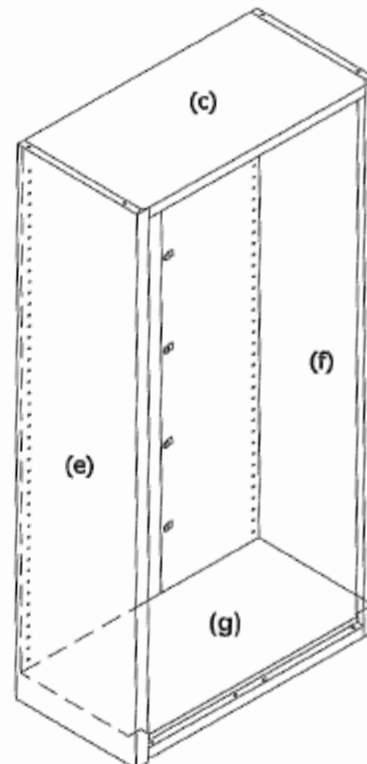
- 3.5 Insert and tighten screw at 8 locations as shown. (location 3 to 10)

Step 4 - Bottom Shelf Assembly

- 4.1 Identify the front and rear edges of the bottom shelf correctly (front edge has cut-outs on either sides). Position the bottom shelf in the cabinet with the notched corners towards the top panel as shown.
- 4.2 Tilt the rear edge of the bottom shelf so that it engages with 4 tabs located on the back panels. (Note : If needed, the tabs can be slightly opened so that the rear edge of the bottom shelf enters, and can be locked in.



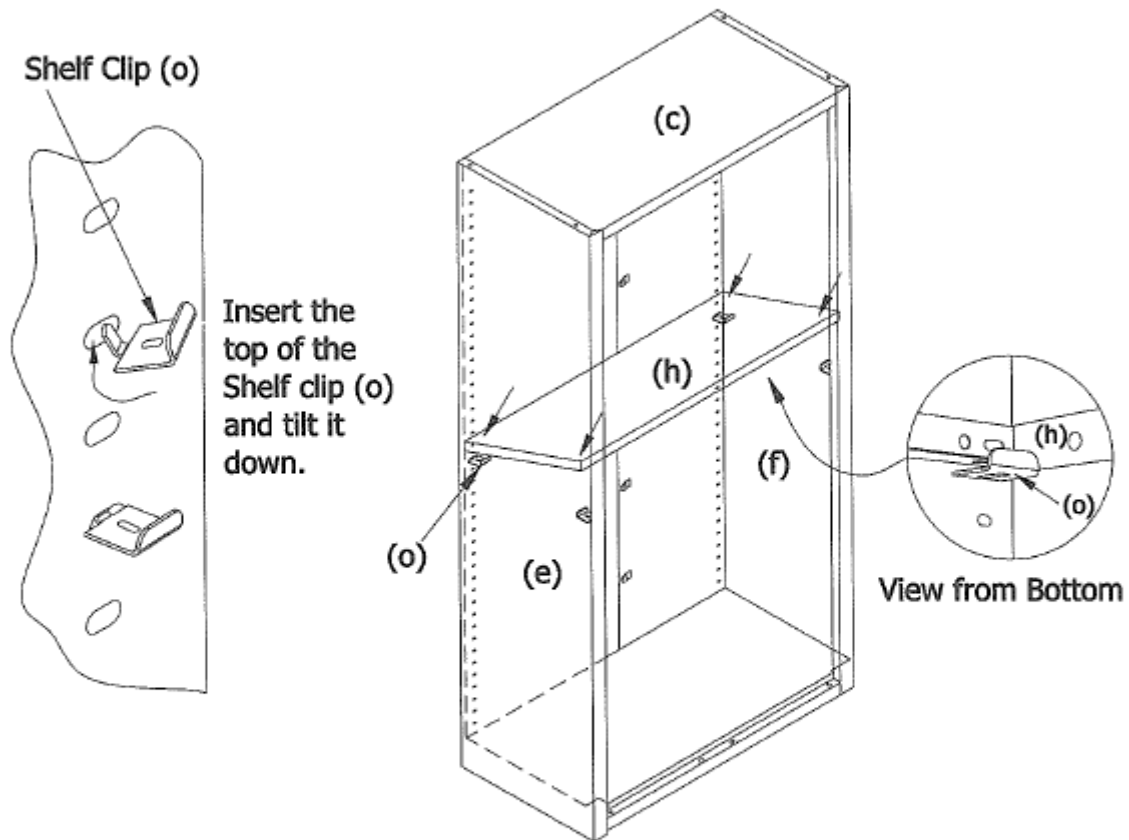
- 4.3 Tilt the front edge of the bottom shelf downwards, making sure that it engages firmly with the bottom panel. The bottom shelf assembly is complete when it rests flat and firm



- 4.4 Stand the cabinet upright carefully and again tap the bottom shelf, to make sure it is fully engaged

Step 5 - Adjustable Shelf Assembly

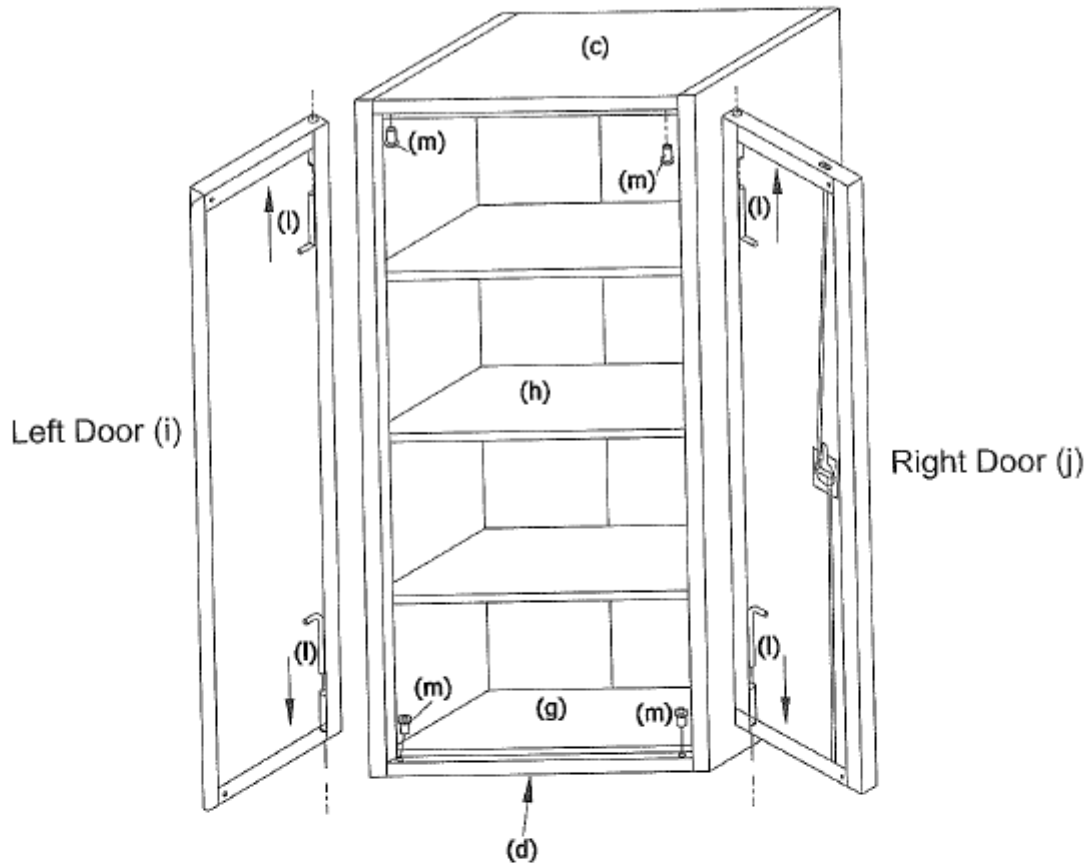
- 5.1 At the desired height, insert 1 shelf clip into the hole located along the front edge of the left side panel and one shelf clip along the front edge of right side panel.
- 5.2 Insert 2 shelf clips into holes located in the opposite ends of the back panel.
- 5.3 Insert the adjustable shelf into the cabinet above the clips with the rear tilted.
- 5.4 Now push the shelf downwards to rest on the shelf clips. If the shelf rests unevenly, reposition the shelf clips so that the shelf rest evenly on all four clips.



Repeat this procedure for all the adjustable shelves.

Step 6 - Door Assembly

- 6.1 Insert Hinge Pin Bush into the hole provided under the left side front edge of the top panel and another hinge pin bush into the hole provided in the left side front edge of the bottom panel.
- 6.2 Take the left door and position the rear edge between the hinge pin bush at the top and bottom. Insert the hinge pin into the hinge provided at the top end of the door. Push the hinge pin upwards so that it is fully engaged with the hinge pin bush. Insert hinge pin upwards so that it is fully engaged with the hinge pin at the bottom end of the door in the same manner.



- 6.3 Peel off and apply Bumper to cover small hole at top and bottom front edge of the door.
- 6.4 Take Right Door and repeat the procedure.
- 6.5 Keys are kept inside the Right Door.
- 6.6 Turn the Handle to open position before closing the door.

Note : Cabinet must be on a level surface for the doors to align properly.

